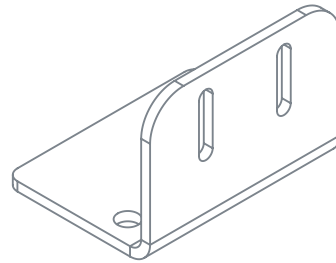
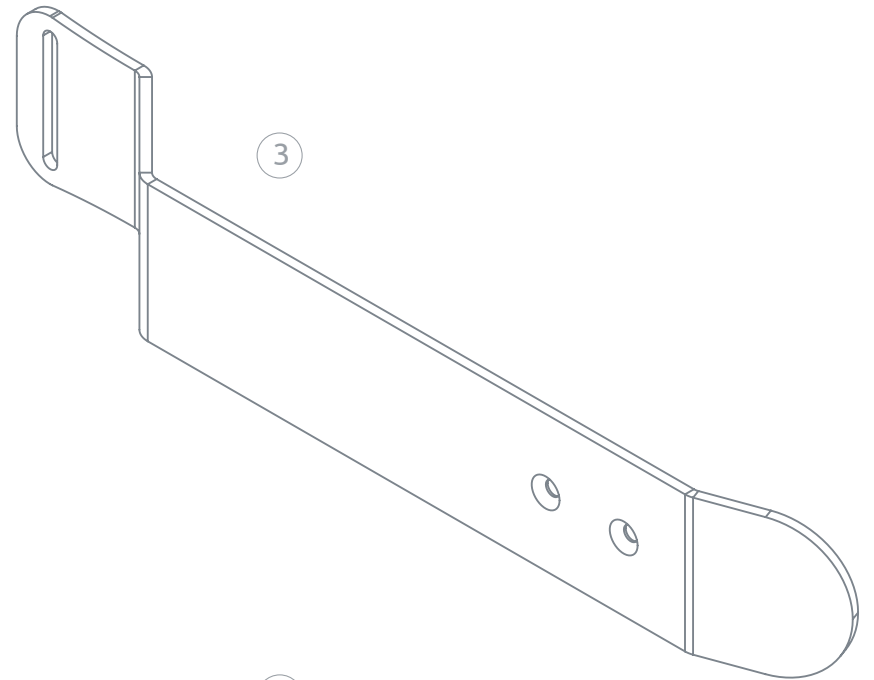


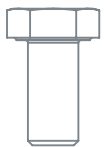
1



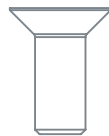
2



3



4



5



6



7



8

1 Sensor Box

2 2 x Angle Bracket

3 Guide Rail

4 2 x M12x25mm Hex Bolt

5 2 x M12 Countersunk Screw

6 4 x M12 Washer

7 2 x M12 Nut

8 Compute Box Terminal Block